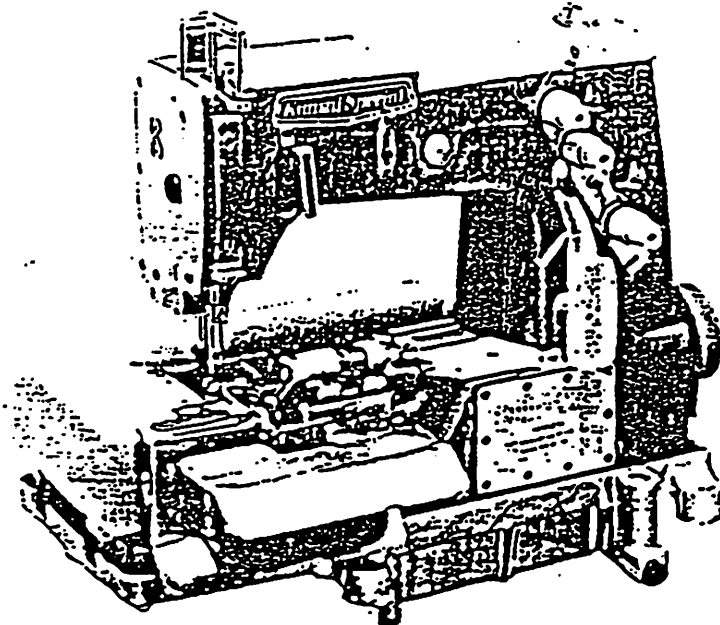


INSTRUCTION MANUAL

DVK-1700 series



MODEL : DVK-1700 series

INDEX

	page no.
1) Applicable model	1
2) Feature	1
3) Motor pulley diameter	1
4) Supplying/draining oil	1
5) Threading	2
6) Setting needle	2
7) Needle bar height	3
8) Synchronizing looper and needle	3
9) Clearance of looper and needle	3
10) Distance of looper and needle	4
11) Height of feed dog	4
12) Changing stitch length	4
13) Setting needle guard	5
14) Adjustment of looper thread take-up	
a) position of take-up eyelet	5
b) position of thread retainer	5
c) adjustment of take-up cam	5
15) Adjustment of rear puller	
a) synchronizing needle and puller	6
b) changing amount of travel of puller	6
c) fine adjustment of travel of puller	6
16) Setting table and stand	7

1) Applicable model

DVK-1702L	DVK-1702B	DVK-1702BK
DVJ-1702BWK	DVK-1702P	DVK-1702PMD

2) Feature

seam type	406	bottom cover stitch
needles	2	
looper	1	
needle bar stroke	31	m/m
feed mechanism	plain	(non-differencial)
oil lubrication	full	automatic

3) Motor pulley diameter

CAUTION : Operational rotation of hand wheel is toward operator (counterclockwise)

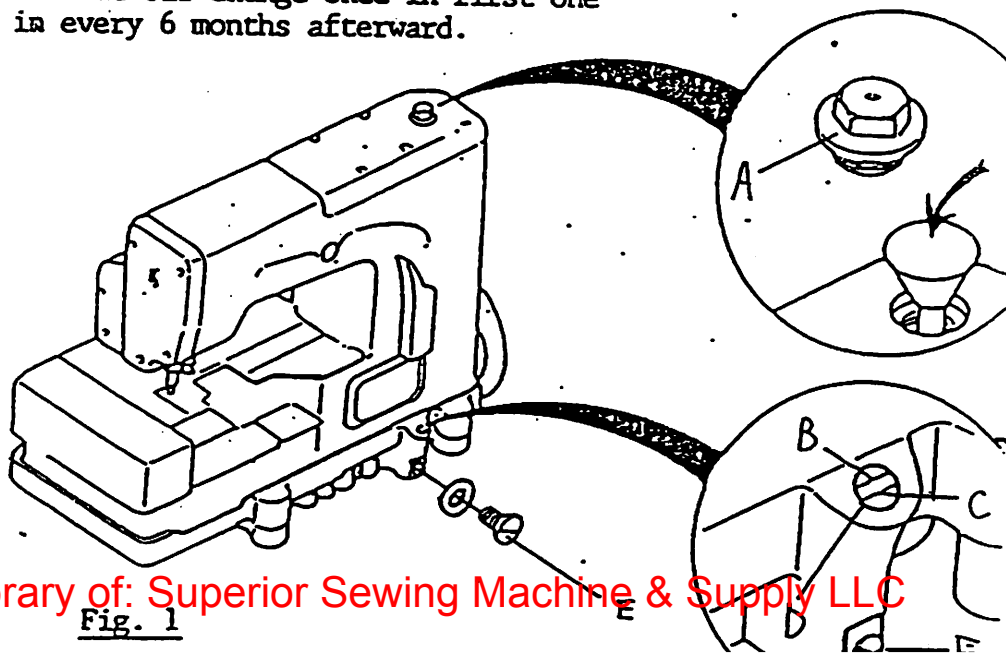
R.P.M.	motor pulley diameter m/m	
	50 Hz	60 Hz
4500	95	80
4000	85	70

Table 1

4) Supplying / draining oil (Fig. 1)

Recommended oil is "TELLESSO 33"

- a) Remove oil viewer A and supply oil until oil is being filled up to the line B of oil gauge C. The oil level should be checked and kept between line B and D while machine is in use.
- b) Draining oil can be done with removing screw E. It is recommended that oil change once in first one month and once in every 6 months afterward.



5) Threading (Fig. 2)

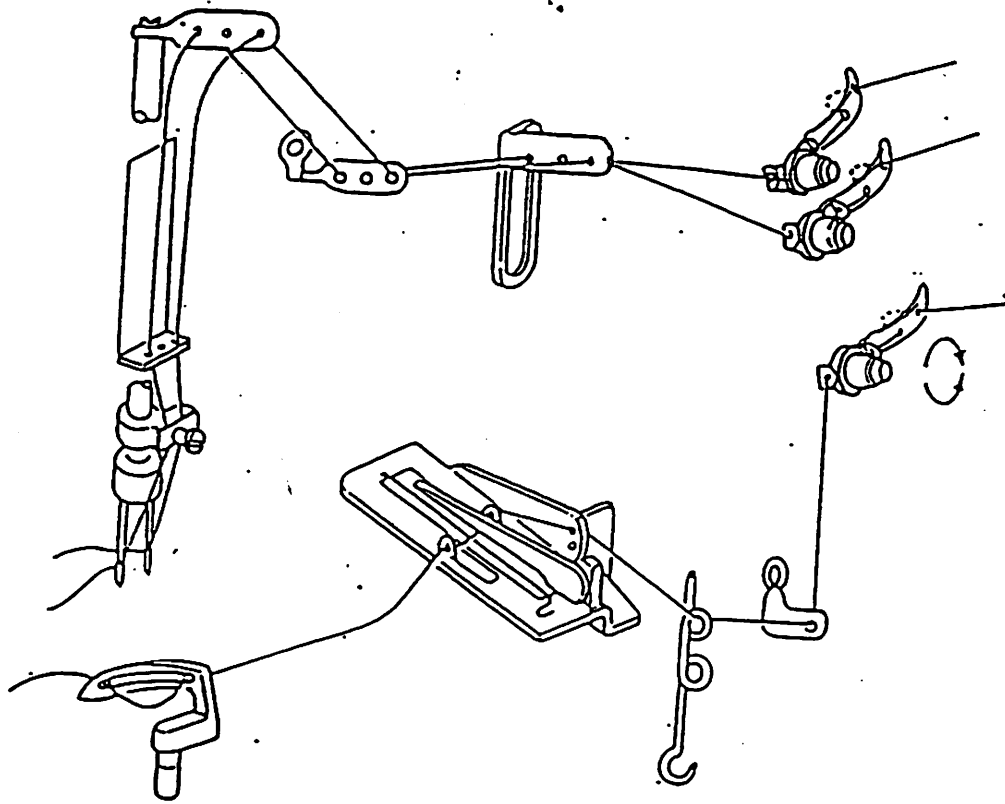


Fig. 2

6) Setting needle (Fig.3)

Place needle so that strait groove and needle eye are exactly facing toward operator.

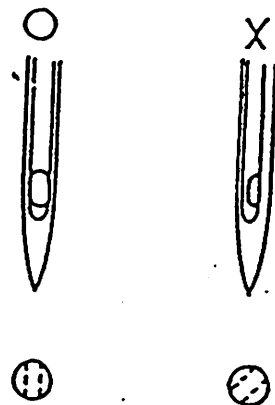


Fig. 3

7) Needle bar height (Fig. 4) ALWAYS FIRST NEEDLE

Set the needle bar so that the distance from the point of needle to the surface of needle plate is as shown on Table 2, when the needle bar is at the top of its stroke. To adjust, loosen screw A to attain proper height.

Model	gauge	A

Table 1

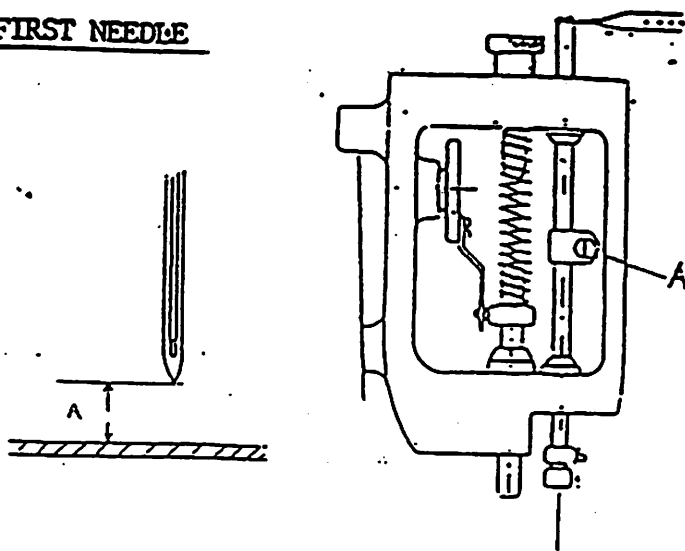


Fig. 4

8) Synchronizing needle and looper (Fig. 5)

Turn the handwheel in operating direction until the point of looper, moving to the left (on the back side of needle), is even with the left side of the right needle.

Now turn handwheel in the reverse direction so that meeting point is the same as preceding location.

To adjust, loosen screw E Fig. 6 SLIGHTLY just enough to retain its position turn handwheel while eccentric F is being held its position; to attain proper synchronization. Retighten screw E securely.

For Proper SYNCHRONIZATION of Looper & Needle these two Dimensions will be the same

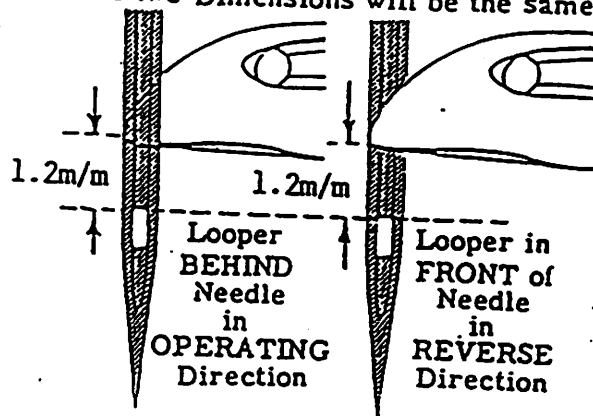


Fig. 5

9) Clearance of looper and needle (Fig. 6, 7)

Set the looper and turn handwheel in operating direction until the point of the looper, moving to the left (on the back side of the needle), its clearance is 0-0.1 m/m (as close as possible without contacting)

To adjust, loosen screw D Fig. 6 move looper holder to attain the proper clearance. Retighten screw D securely.

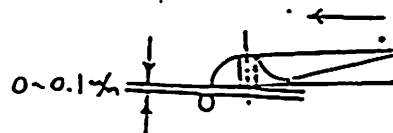
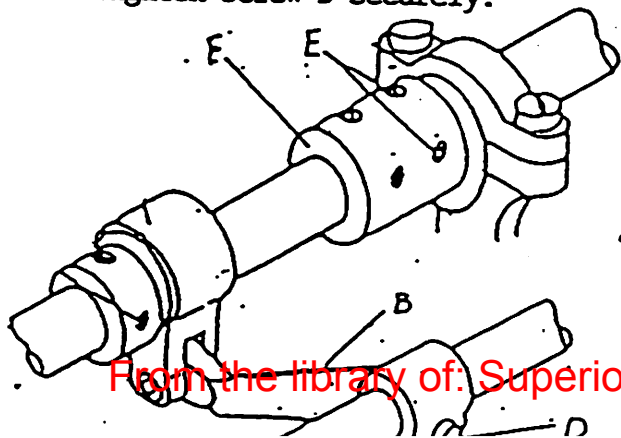


Fig. 7



10) Distance of looper and needle. (Fig. 8)

When the looper is at its farthest position to right, the distance from the point of looper and the needle should be referred Table 3.

To adjust, loosen nuts A turn connecting rod so that proper distance is attained. Retighten nuts A securely.

model	gauge size	distance
1702L P	3/16, 7/32, 1/4	4.4m/m
1702BK	3/16, 7/32, 1/4	4.0m/m
1702P	1/8, 5/32	5.2m/m

Table 3

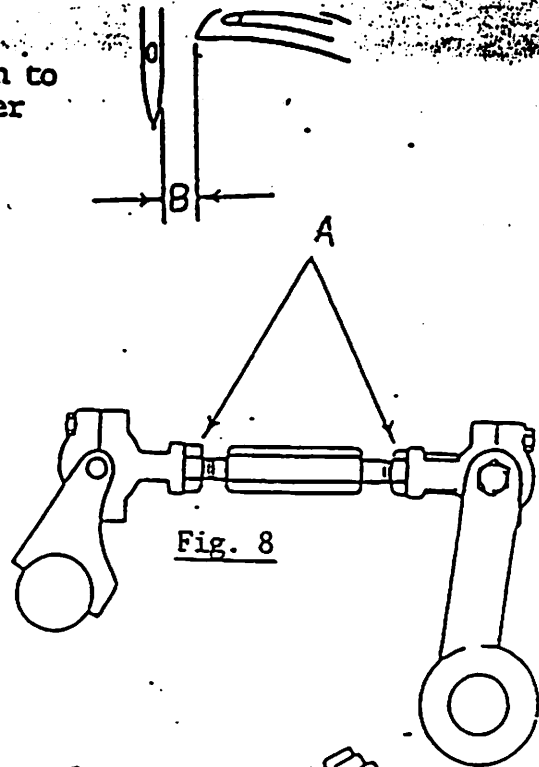


Fig. 8

11) Height of feed dog (Fig. 9)



When the needle bar is at the top of its stroke; the height of peak of teeth from the surface of the needle plate should be 1.0-1.2 m/m.

To adjust, loosen screw A move feed dog vertically to attain its proper height.

Retighten screw A securely.

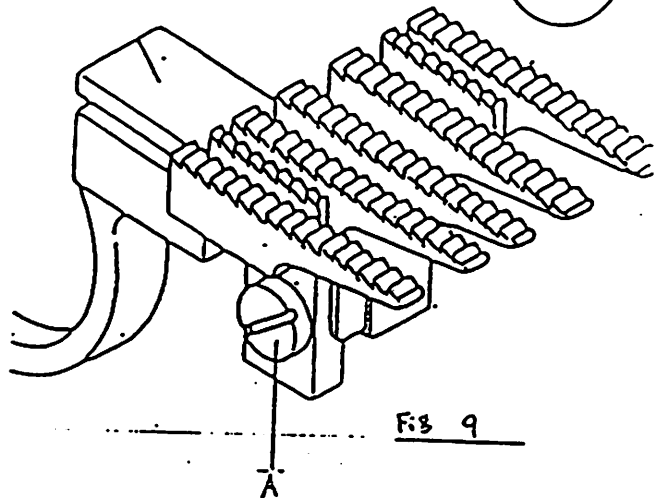


Fig 9

12) Changing feed length (Fig. 10)

CAUTION: Whenever feed length is changed, be sure to readjust the needle guard.

If the change of feed length is required, loosen nut A clockwise turn regulating screw B counter-clockwise to acquire longer stitch length, clockwise acts the reverse.

Retighten nut A securely.

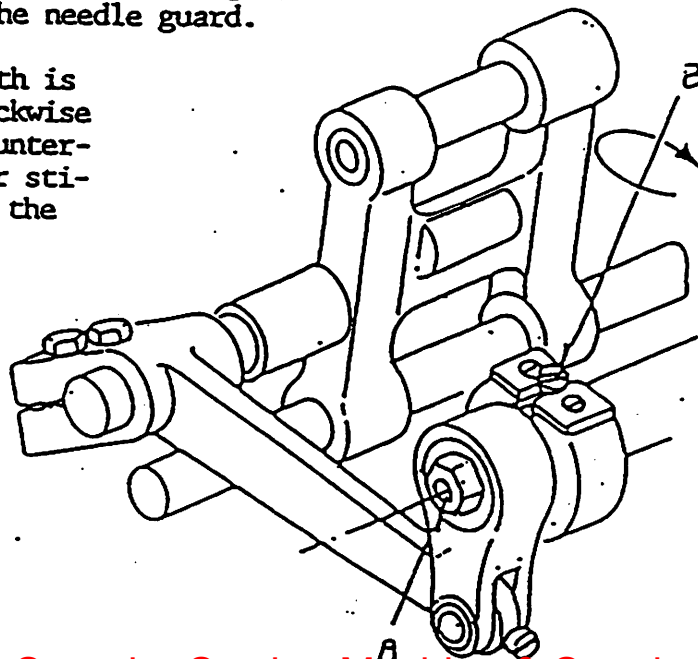


Fig. 10

13) Setting needle guard (Fig.11)

Set the needle guard horizontally so that it barely contacts the needle when at its extreme forward position.

It should be set vertically as low as possible, yet have its top of guarding surface is 1.0 mm higher than the point of the needle, when the point of looper meets needle on its way of leftward motion.

To adjust, loosen screw A to attain proper position.

Retighten screw A securely.

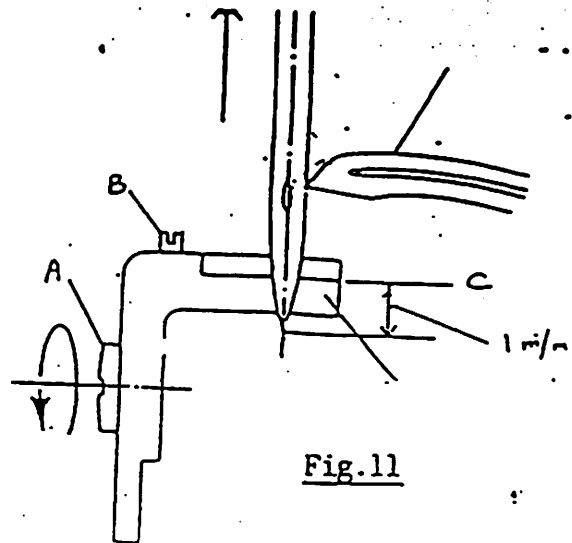


Fig.11

14) Adjustment of looper thread take-up (Fig.12,13)

- a) Set the looper thread retainer E so that the distance from its underside to the surface of needle plate is 6-7 mm.

To adjust, loosen screw G move thread retainer E vertically to attain its height.

Retighten screw G.

- b) Setting looper thread take-up eyelet

Proper location of thread take-up eyelet D should be vertically in line with the center of main shaft.

Loosen set screw A move eyelet to attain its position.

Retighten set screw A securely.

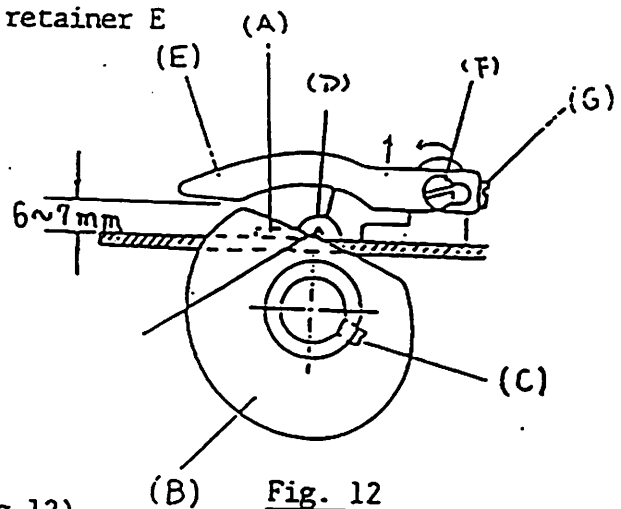


Fig. 12

- c) Adjustment of take-up cam (Fig. 13)(Fig.12)

The looper thread should begin to be released when the blade of looper and the point of the needle are at horizontally the same height, in its motion toward right.

To adjust, loosen screw C SLIGHTLY but rigid enough to retain its position, move take-up cam B to attain proper position.

Retighten screw C securely.

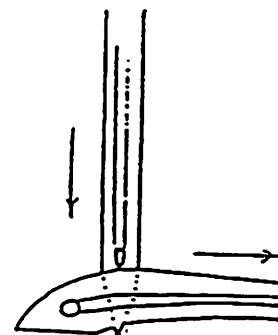


Fig. 13

15) Adjustment of rear puller

- a) Synchronization to needle bar (Fig.14)
In upward motion of needle bar and the point of needle is located within the thickness of presser foot (1.5 mm higher than surface of needle plate.), puller should start to be effective. Loosen screw A and secure the location of eccentric. Tighten screw A after adjustment is done.

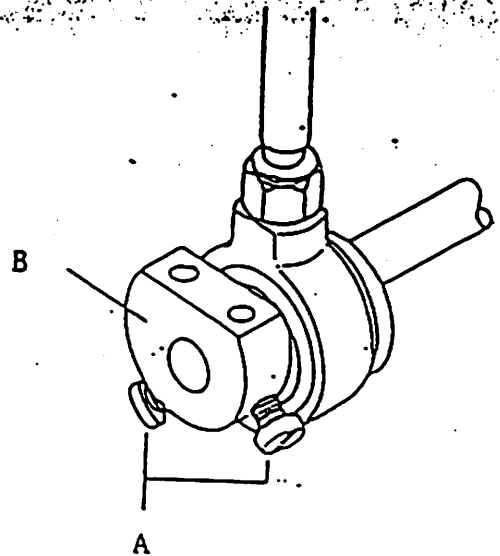


Fig.14

- b) The amount of travel of the puller (Fig.15)
Feed length and the amount of travel of the puller normally be maintained the same. To adjust this, loosen nut C, move ball joint assembly inwardly (toward upper shaft) in connecting lever A to acquire more feed action, outwardly acts the reverse. Retighten nut C.

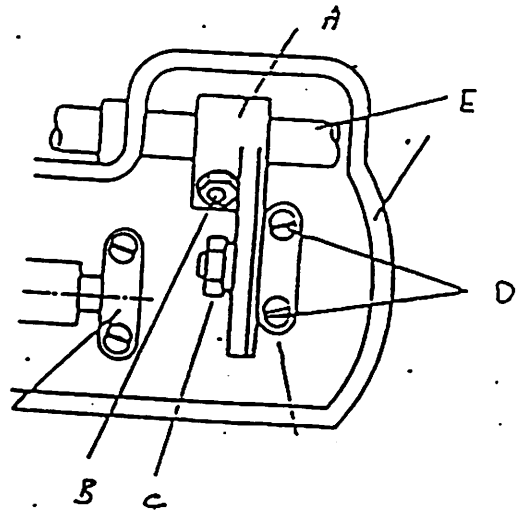
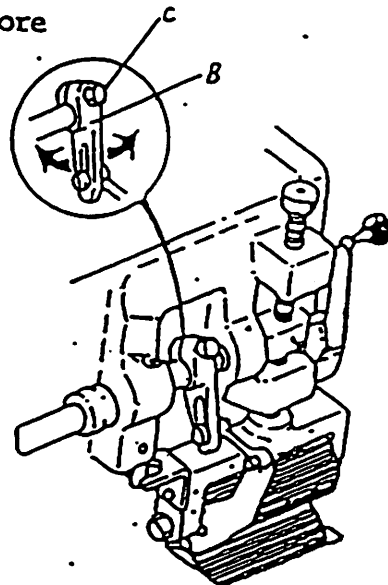


Fig.15

- c) Fine adjustment of travel of the puller (Fig.16)

To adjust this, loosen screw C move puller driving lever B toward operator to acquire more feeding action, outwardly acts reverse. Retighten screw C.



16) Setting table stand (Fig.17)

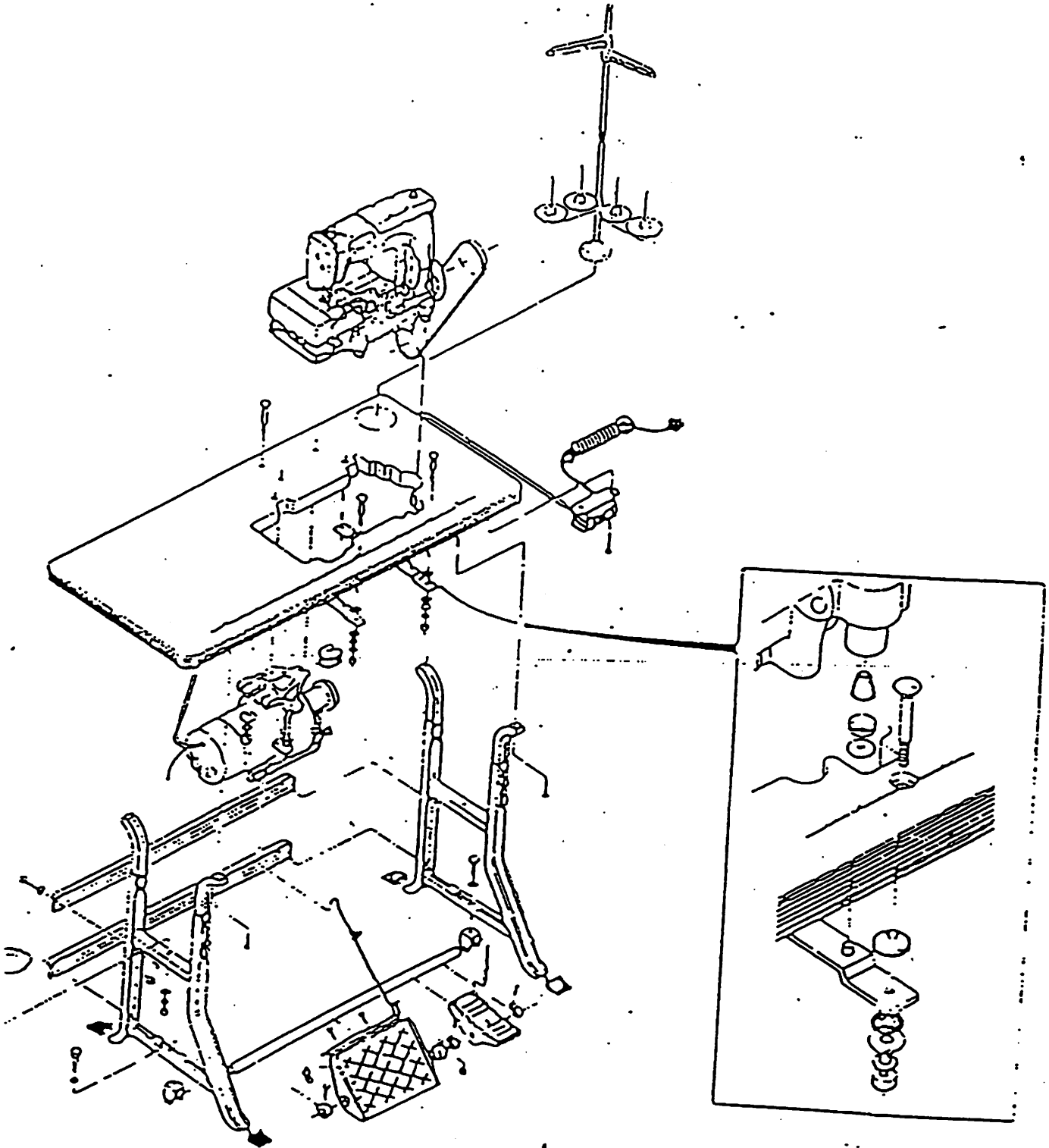


Fig. 17